



Cross Raised Garden Bed

Installation Guide

Thank You!

You're only a few steps away from your perfect vegetable garden or elevated planter. We hope you enjoy!

Before You Start

Please read the instructions carefully to familiarize yourself with every detail and step involved. Keep this manual for future reference. Find a suitable space to assemble your new Cross Raised Garden Bed.

You need at least 111" x 109" (282 x 277cm) for the finished product. A flat and firm area (like a garage floor or flat yard space) is perfect! The only tool you may need is a rubber mallet.

Important Notes

Small parts are included; we advise you to keep them away from children and pets.

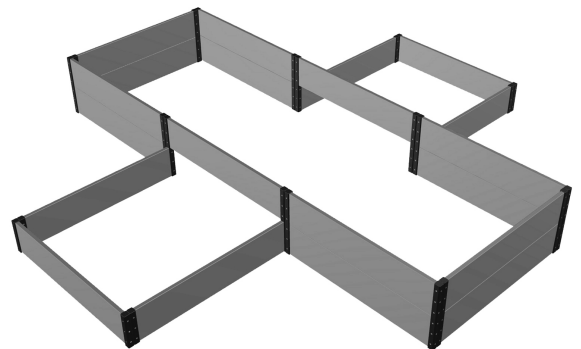
We also suggest having another person help you assemble. Maximum Load capacity: approximately 44 cu. ft. of soil

★ **Subscribe at www.everbloom-garden.com for extra savings and upgrading information!**

Everbloom-Garden.com

Questions or Comments?
Email us at service@everbloom-garden.com

Bundle# K2203
Dimensions 110" L x 108" W x 7" & 14" H

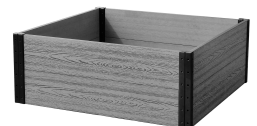


This product is bundled by:

Model# **R073638**
Essential Raised
Garden Bed



Model# **R143638**
Deep Root Raised
Garden Bed



Model# **R0714E36**
Terraced Double
Bed Extension

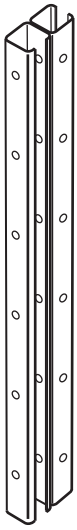


Parts List

Cross Raised Garden Bed - 110" L x 108" W x 7" & 14" H

Left Corner
Post
(360mm) X 2
From R143638

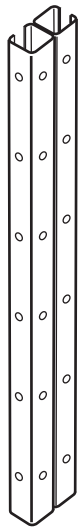
Top



Bottom

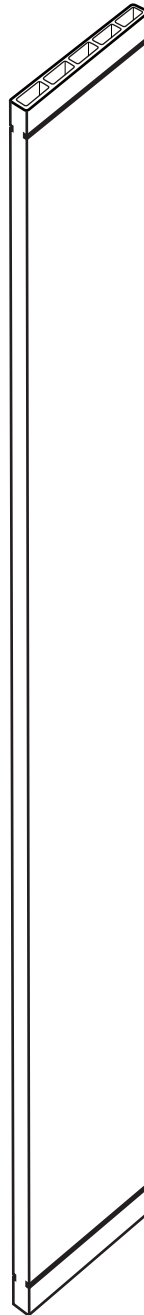
Right Corner
Post
(360mm) X 2
From R143638

Top



Bottom

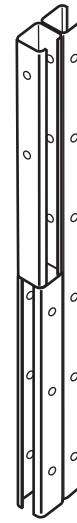
Long Board
X 20
From R073638 /
R143638 /
R0714E36



900mm

Left Joiner
Corner
X 2
From R0714E36

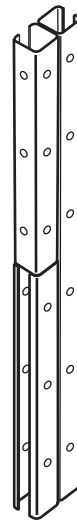
Top



Bottom

Right Joiner
Corner
X 2
From R0714E36

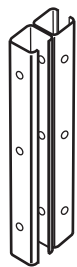
Top



Bottom

Left Corner
Post
(180mm) X 2
From R073638

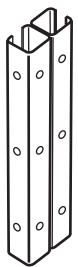
Top



Bottom

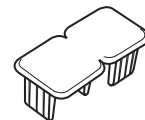
Right Corner
Post
(180mm) X 2
From R073638

Top



Bottom

Post Cap
X 18
From R073638 /
R143638 /
R0714E36

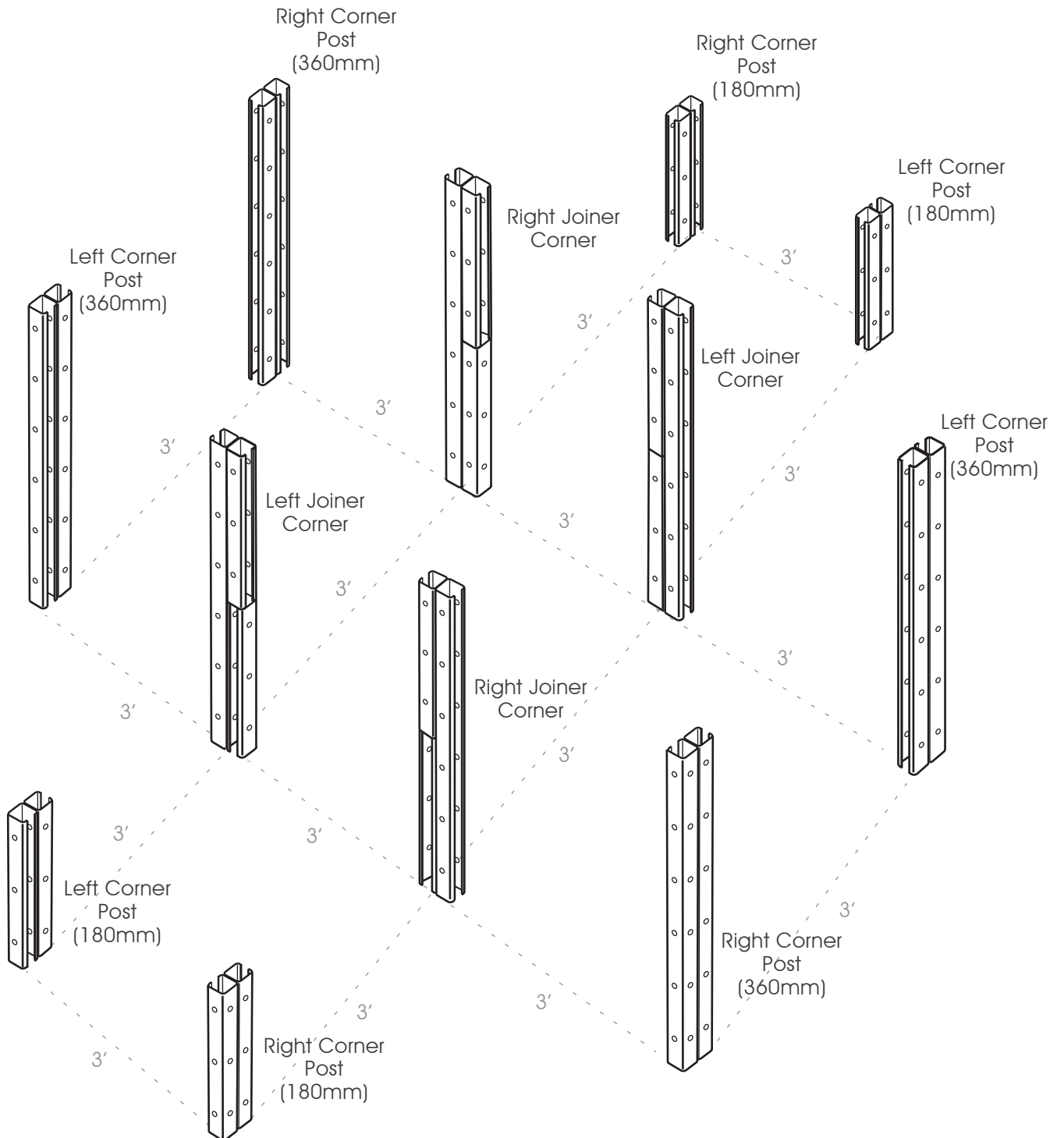


Assembly

Cross Raised Garden Bed - 110" L x 108" W x 7" & 14" H

Start by making sure each corner post is oriented correctly. Reference Image 1.

IMAGE 1

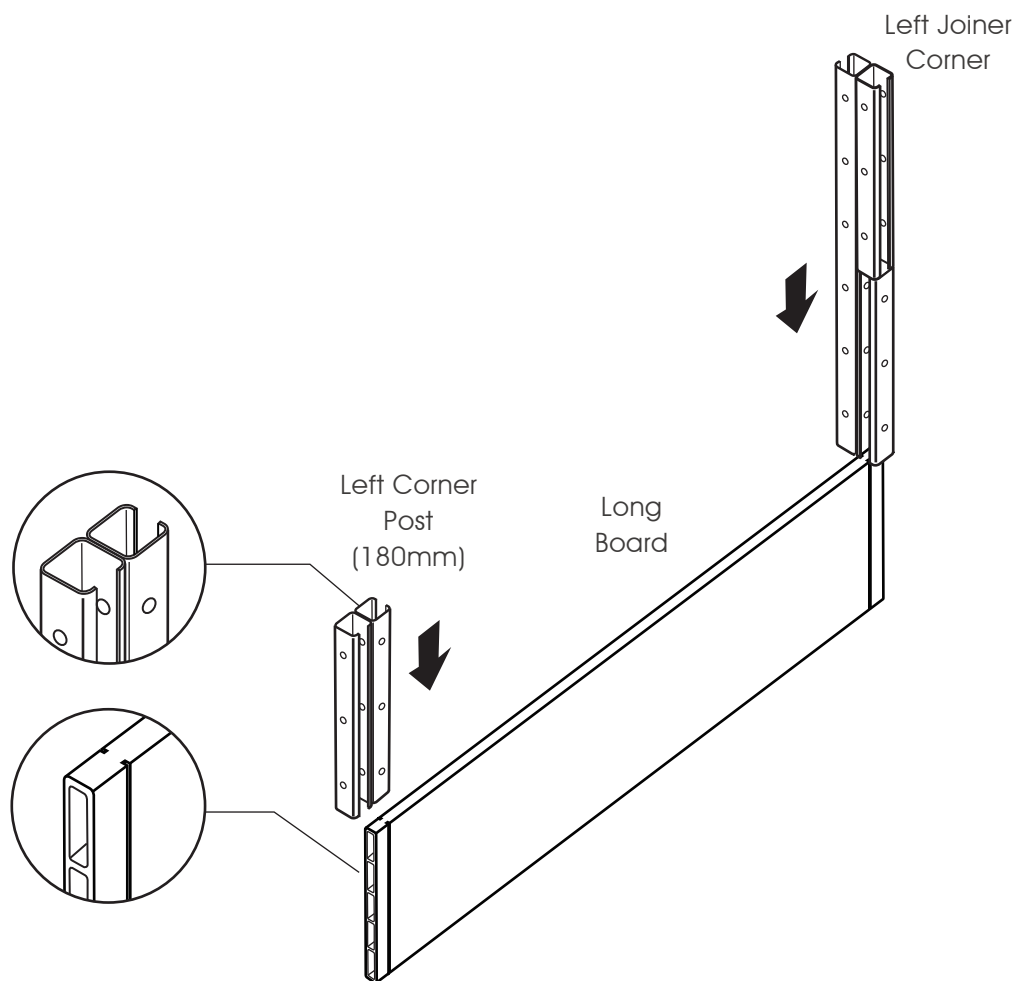


Assembly

Cross Raised Garden Bed - 110" L x 108" W x 7" & 14" H

Fix the left joiner corner and left corner post (180mm) on one long board from above, as shown in Image 2.
Note: The boards need to be placed in the inward "U" shape of the brackets. (Image 2).

IMAGE 2

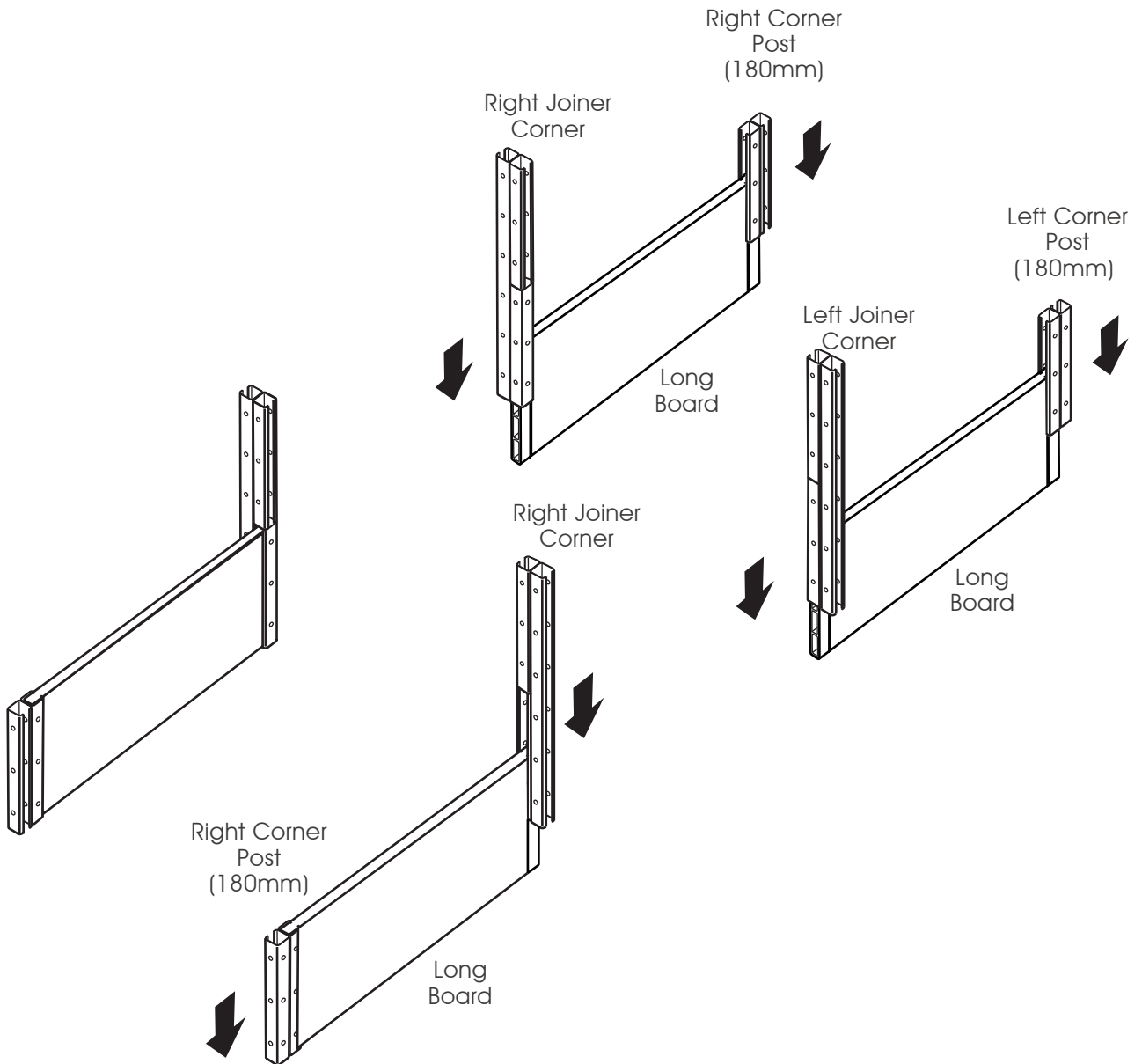


Assembly

Cross Raised Garden Bed - 110" L x 108" W x 7" & 14" H

Fix other joiner corners and corner posts (180mm) on long boards from above, as shown in Image 3.

IMAGE 3

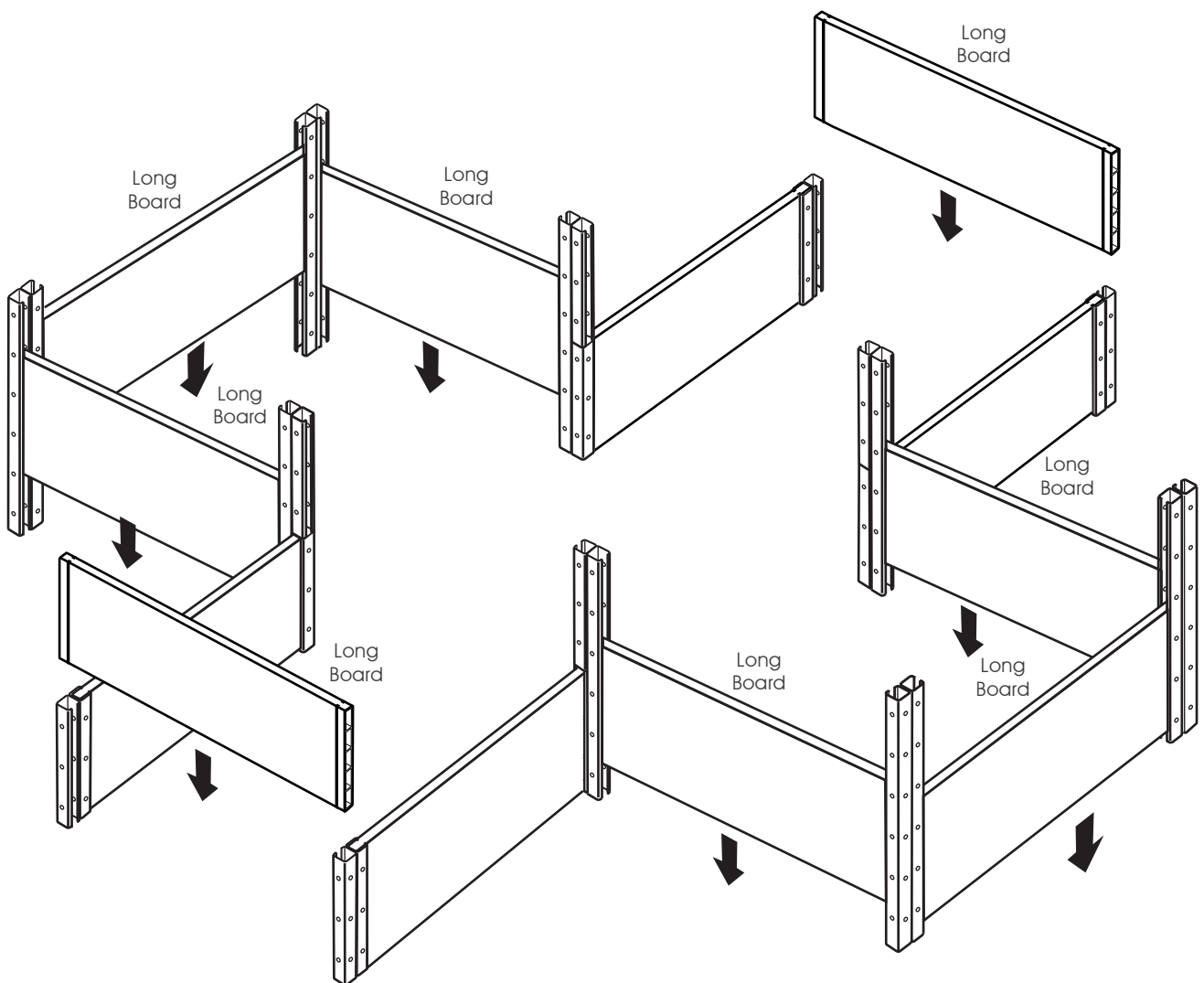


Assembly

Cross Raised Garden Bed - 110" L x 108" W x 7" & 14" H

Slide eight long boards to form the first layer of the garden bed, as shown in Image 4.

IMAGE 4

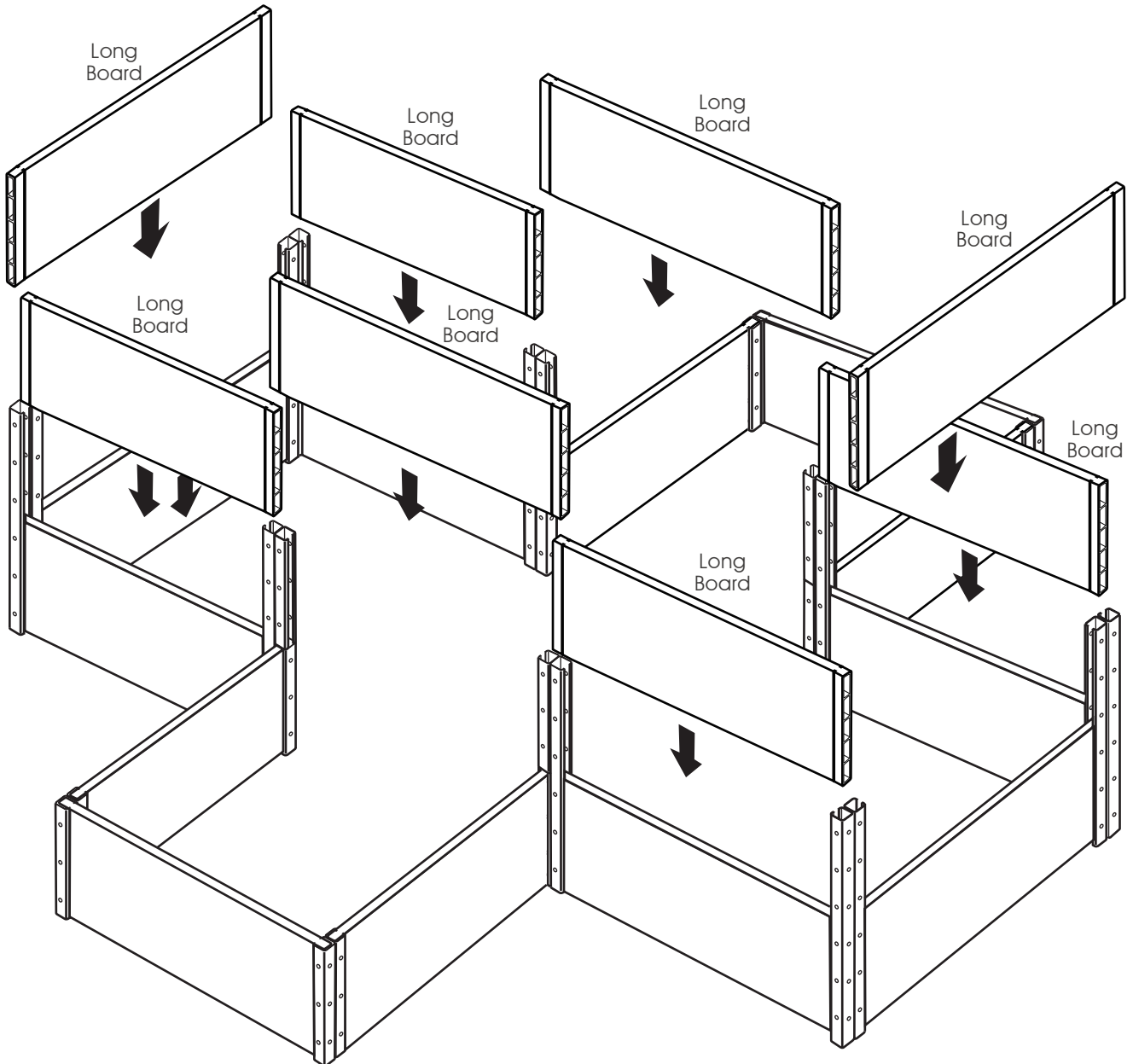


Assembly

Cross Raised Garden Bed - 110" L x 108" W x 7" & 14" H

Slide the remaining eight long boards to form the second layer of the garden bed, as shown in Image 5.

IMAGE 5

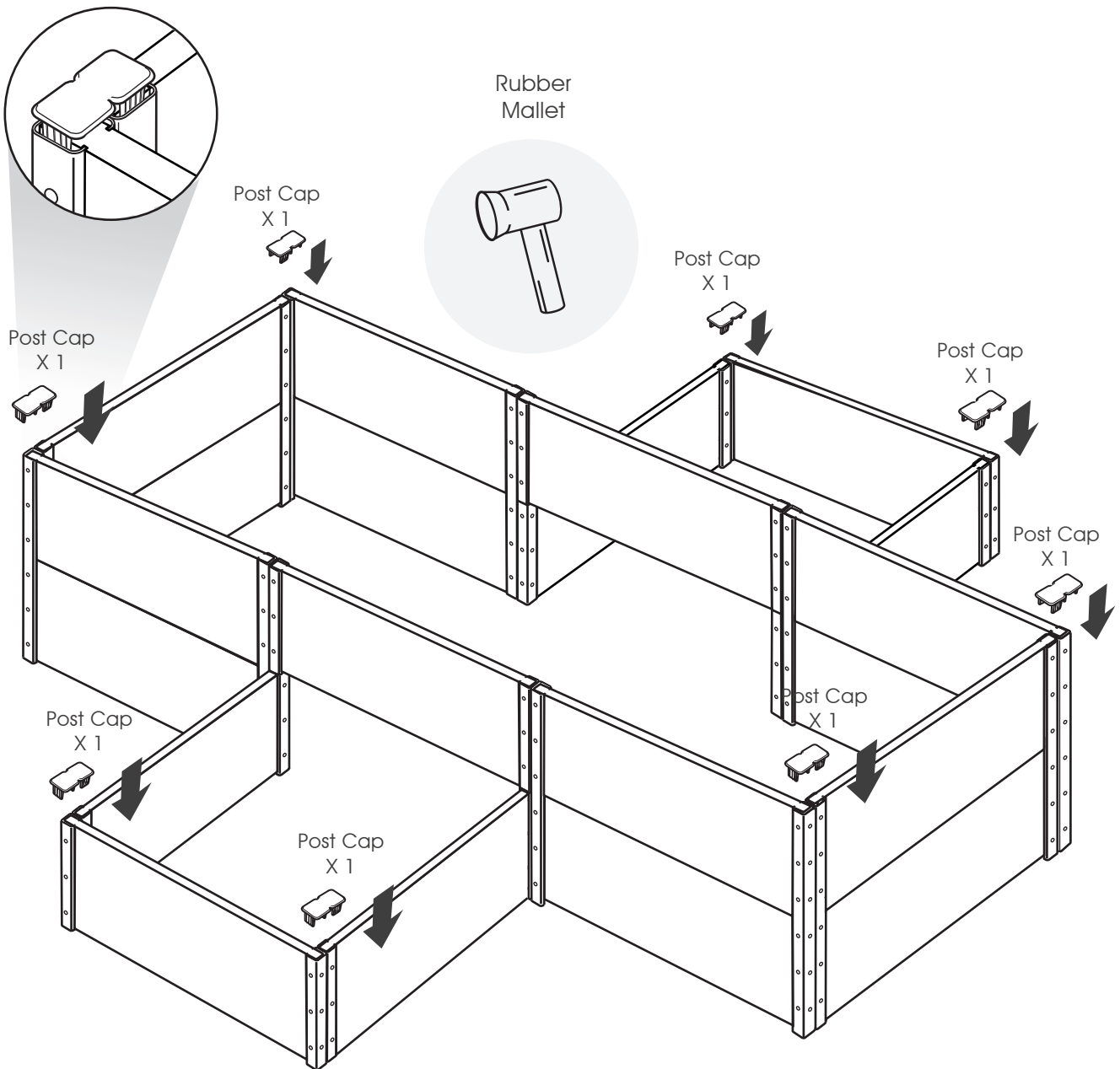


Assembly

Cross Raised Garden Bed - 110" L x 108" W x 7" & 14" H

If necessary, use your rubber mallet to ensure the boards are tightly in place. Cover the brackets with the 8 end caps, as shown in Image 6. Now you get a cross raised garden bed.

IMAGE 6

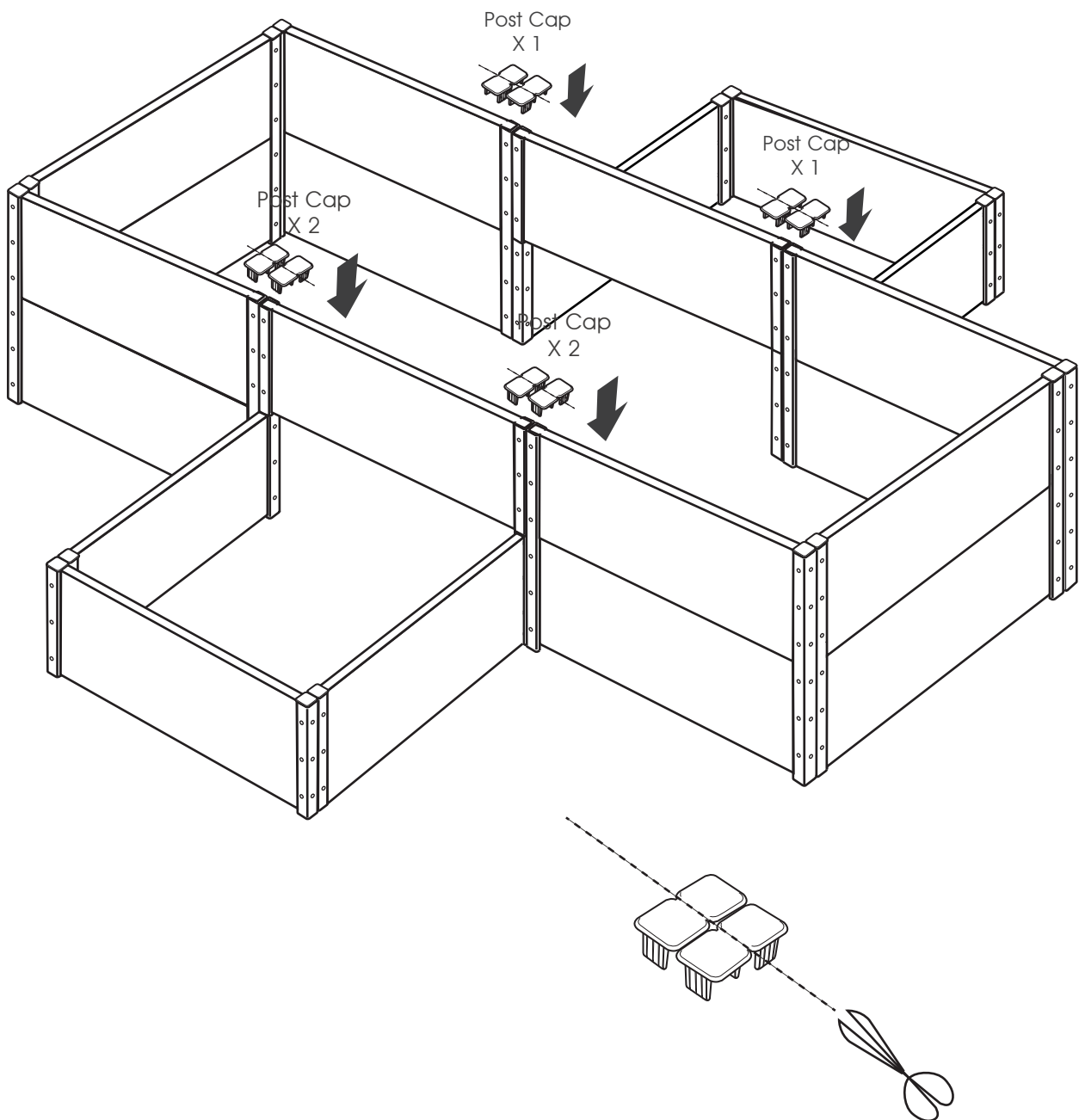


Assembly

Cross Raised Garden Bed - 110" L x 108" W x 7" & 14" H

For the central 4 ends of post brackets, you can use remaining post caps to cover them and trim by scissor, as shown in Image 7.

IMAGE 7



Notes

Cross Raised Garden Bed - 110" L x 108" W x 7" & 14" H

Sometimes there might be a misalignment of the Corner Posts as shown in Image 8 and Image 9, which may result in difficulty of sliding boards into the brackets. Please adjust them to the right position so that they are parallel to each other, and perpendicular to the ground.

IMAGE 8

Assembling Problem 1

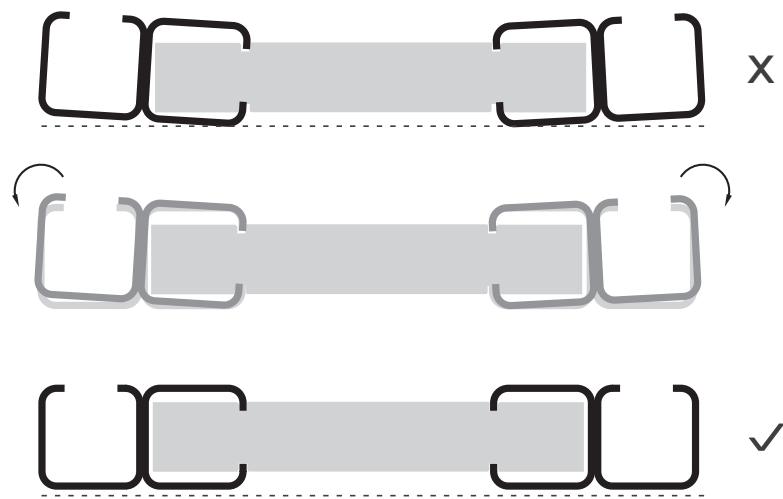
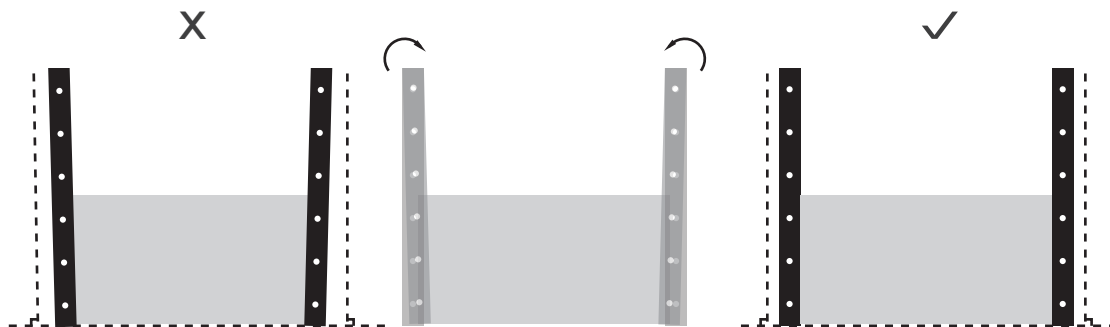


IMAGE 9

Assembling Problem 2



Bloom On.

Everbloom-Garden.com

US Patent Pending

★ Subscribe at www.everbloom-garden.com for
extra savings and upgrading information!



Distributed by:
Dynaforge Trading LLC
St. Paul, MN55101
Email: service@everbloom-garden.com