



Terraced Roadside Garden Bed

Installation Guide

Thank You!

You're only a few steps away from your perfect vegetable garden or elevated planter. We hope you enjoy!

Model# R0714T4821
Dimensions 48" L x 21" W x 7" x 14" H

Before You Start

Please read the instructions carefully to familiarize yourself with every detail and step involved. Keep this manual for future reference. Find a suitable space to assemble your new Terraced Roadside Garden Bed.

You need at least 48" x 21" (122 x 54cm) for the finished product. A flat and firm area (like a garage floor or flat yard space) is perfect! The only tool you may need is a rubber mallet.

Important Notes

Small parts are included; we advise you to keep them away from children and pets.

We also suggest having another person help you assemble. Maximum Load capacity: approximately 5.3 cu. ft. of soil

★ **Subscribe at www.everbloom-garden.com for extra savings and upgrading information!**



Everbloom-Garden.com

Questions or Comments?

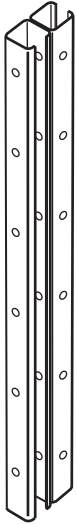
Email us at service@everbloom-garden.com

Parts List

Terraced Roadside Garden Bed - 48" L x 21" W x 7" & 14" H

Left Corner Post
(360mm) X 1

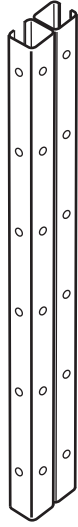
Top



Bottom

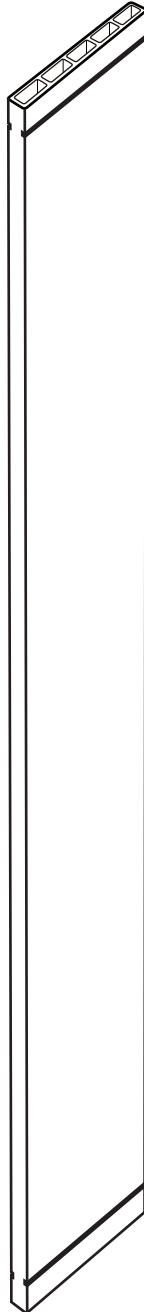
Right Corner Post
(360mm) X 1

Top



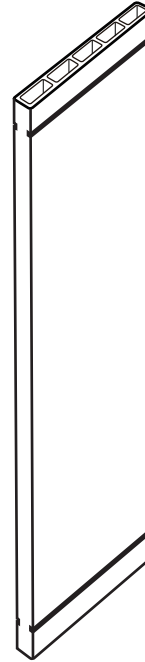
Bottom

Long Board
X 2



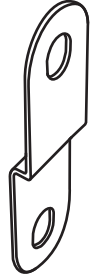
1140mm

Long Board
X 6

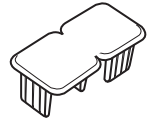


540mm

Securing Plate
X 2

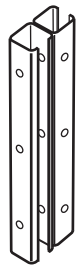


Post Cap
X 6



Left Corner Post
(180mm) X 2

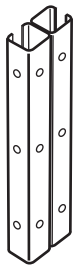
Top



Bottom

Right Corner Post
(180mm) X 2

Top



Bottom

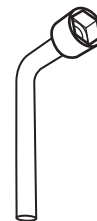
Bolt
X 2



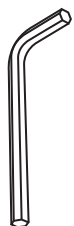
Nut
X 2



Nut Driver
X 1



Hex Key
X 1

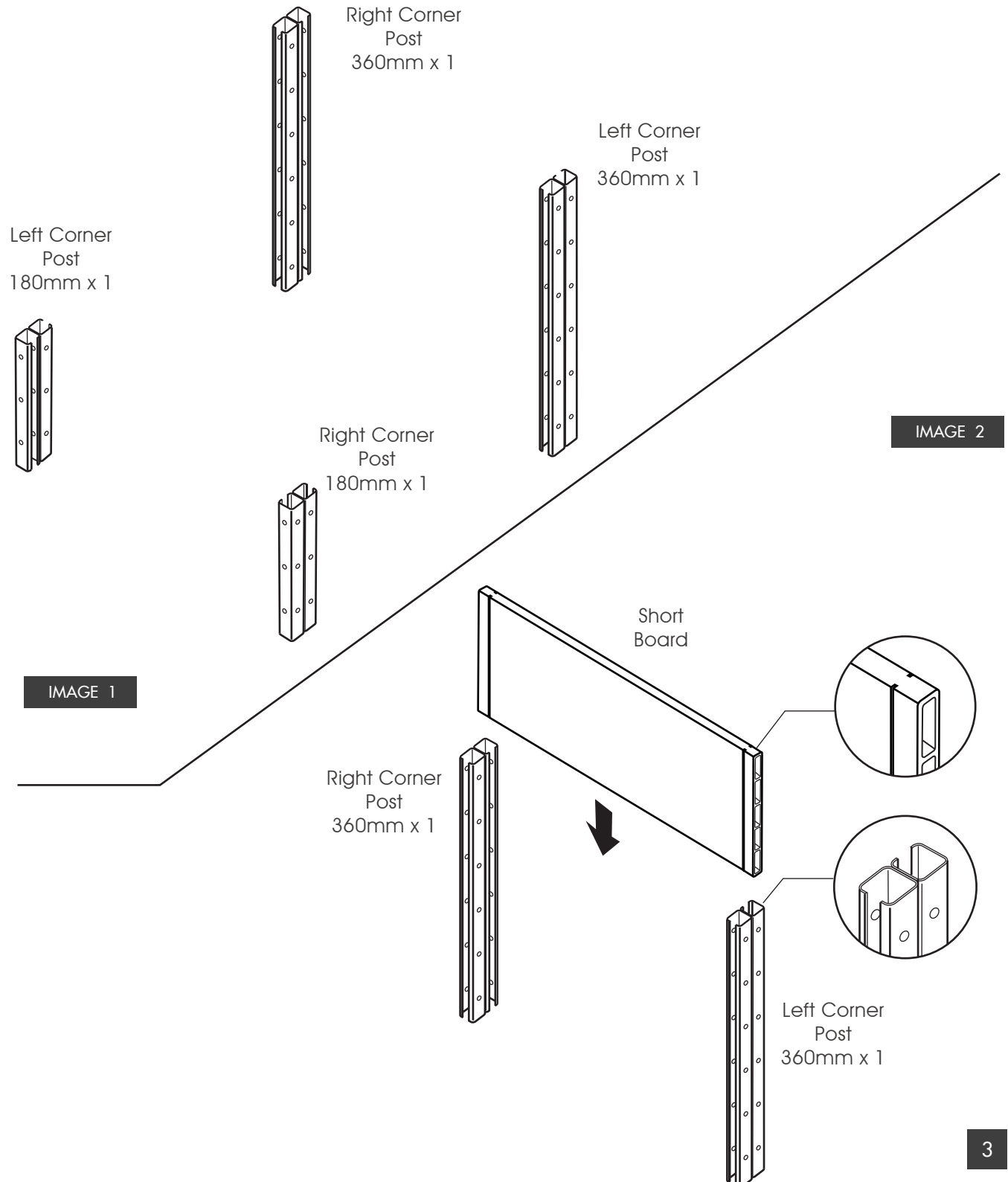


Assembly

Terraced Roadside Garden Bed - 48" L x 21" W x 7" & 14" H

Start by making sure each corner post is oriented correctly. Reference Image 1. Slide one short board into the 360mm corner posts from above.

Note: The boards need to be placed in the inward "U" shape of the brackets. (Image 2).

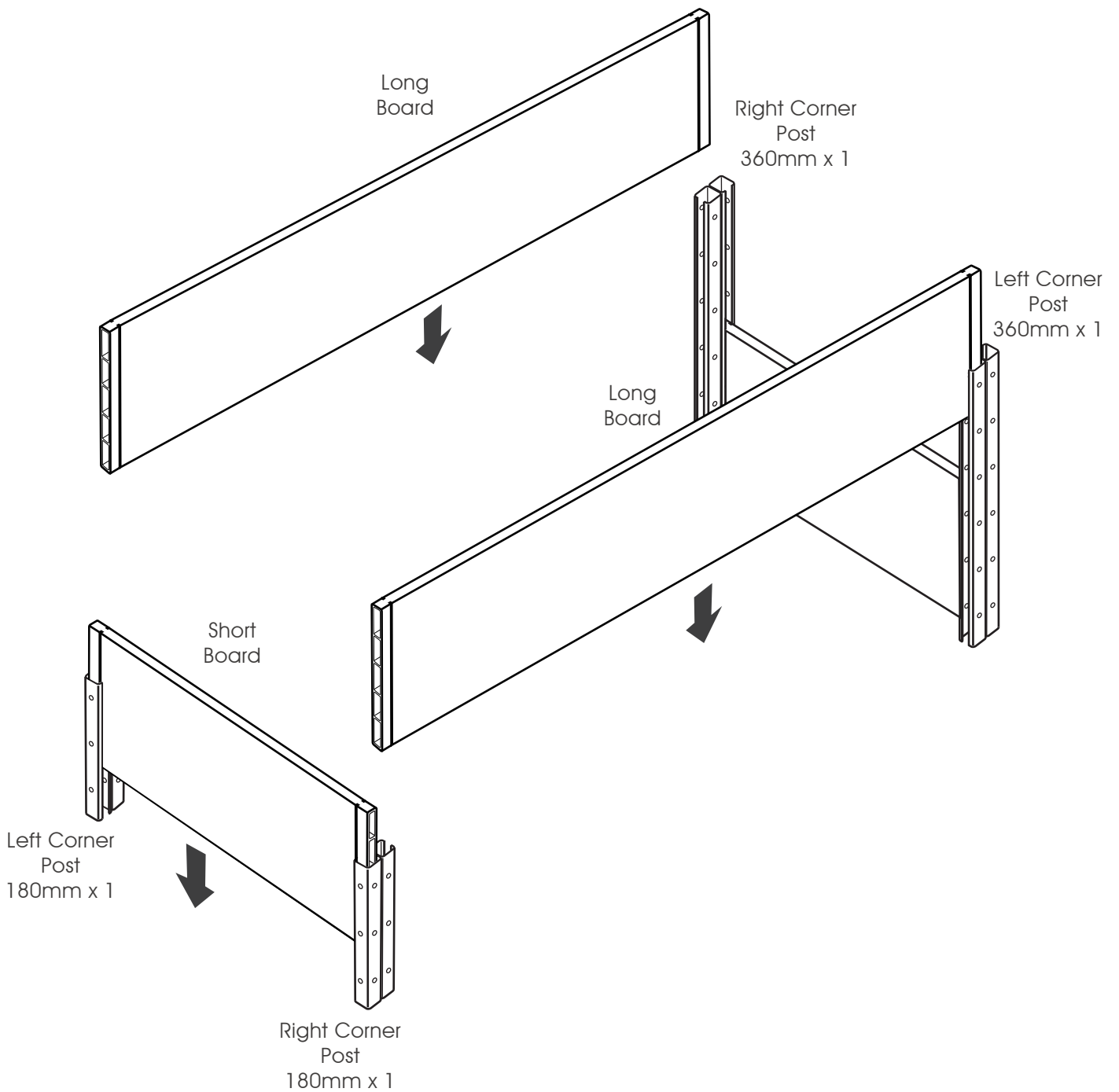


Assembly

Terraced Roadside Garden Bed - 48" L x 21" W x 7" & 14" H

Slide another short board and two long boards into the corner posts from above, as shown in Image 3.

IMAGE 3

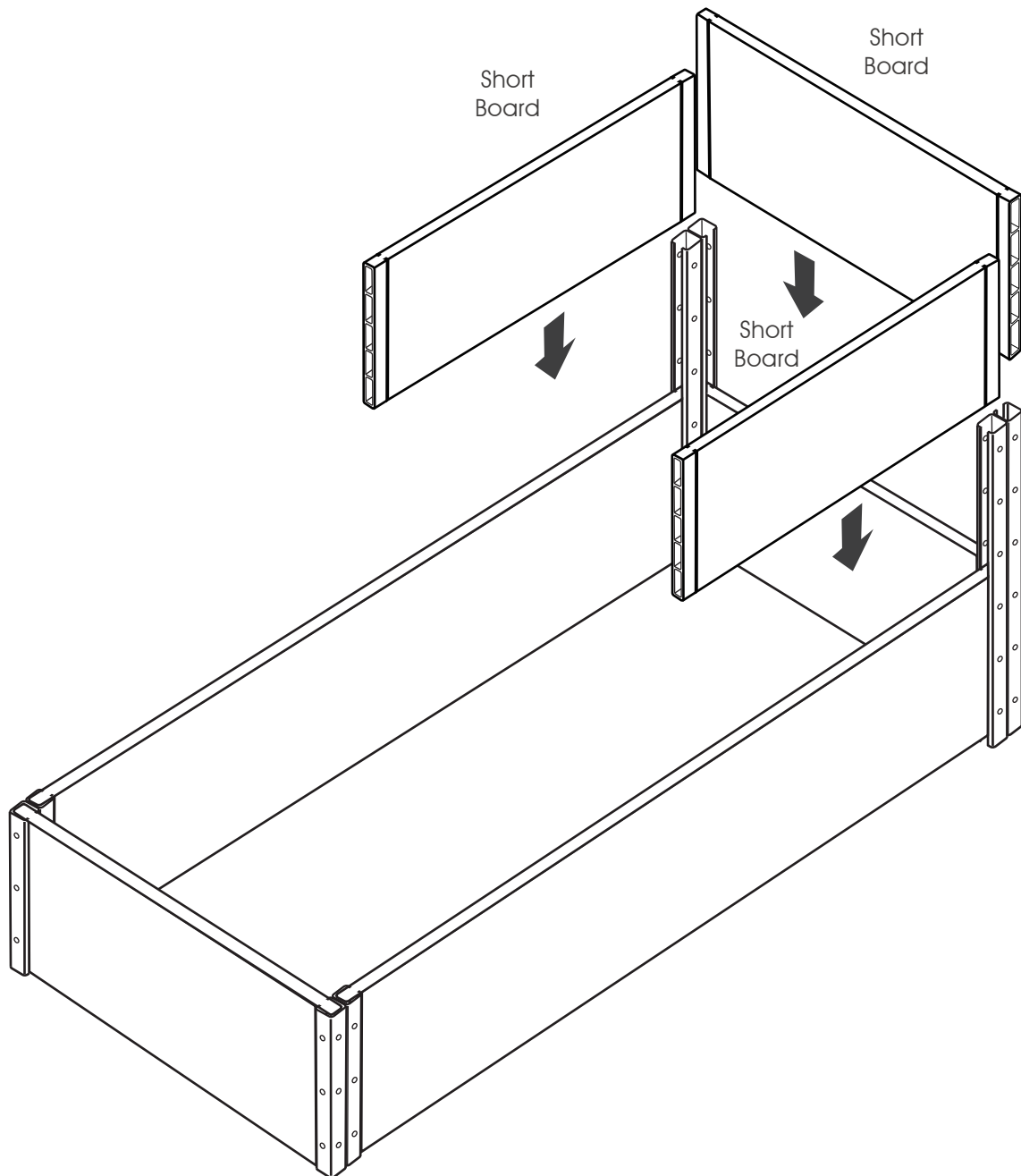


Assembly

Terraced Roadside Garden Bed - 48" L x 21" W x 7" & 14" H

Slide three short boards from above to form the second layer, as shown in Image 4.
Note: Don't swivel the short boards on long sides to prevent them splite from the steel posts.

IMAGE 4

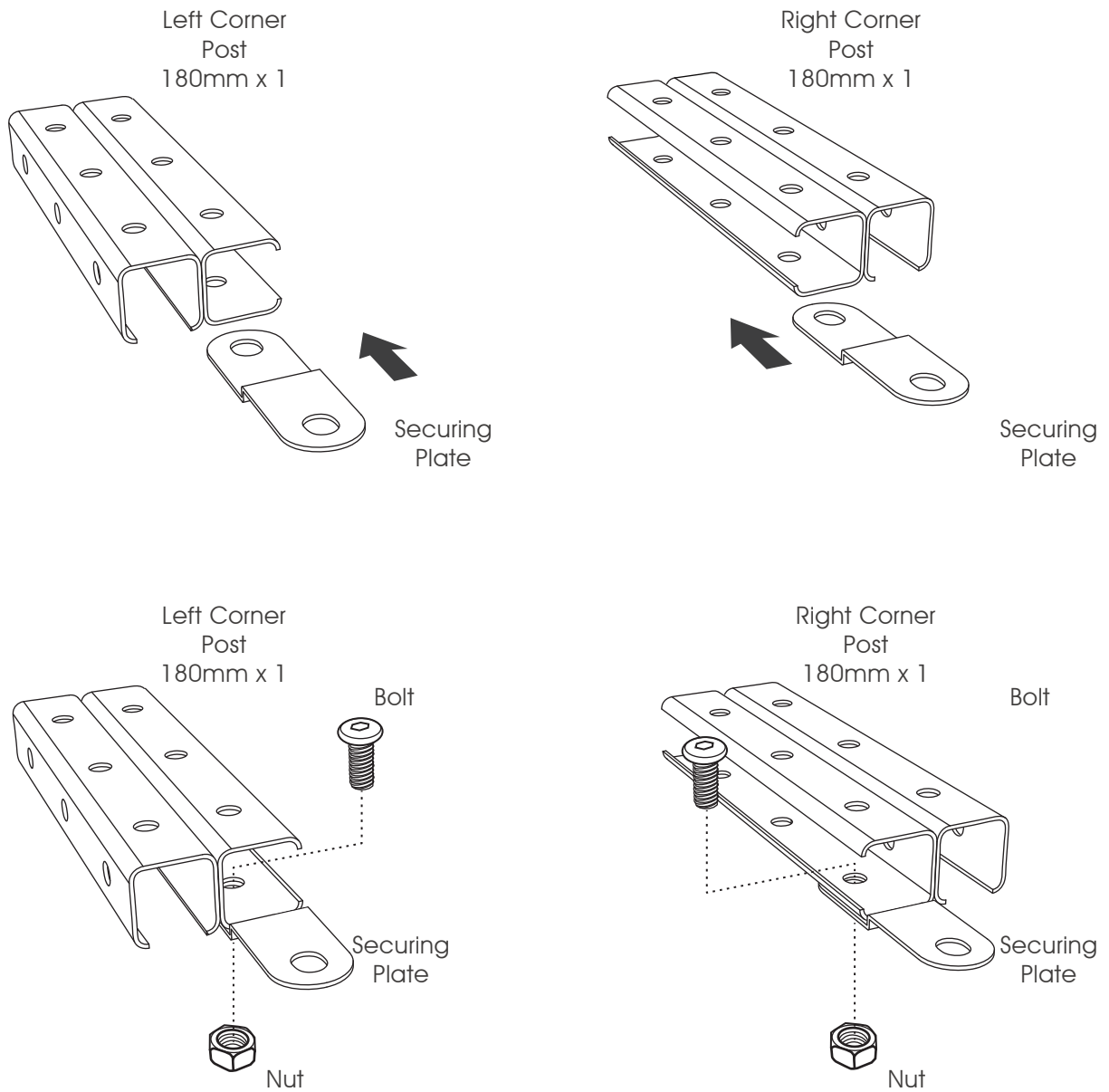


Assembly

Terraced Roadside Garden Bed - 48" L x 21" W x 7" & 14" H

Fix the securing plates on corner posts with bolt and nut, as shown in Image 5.

IMAGE 5

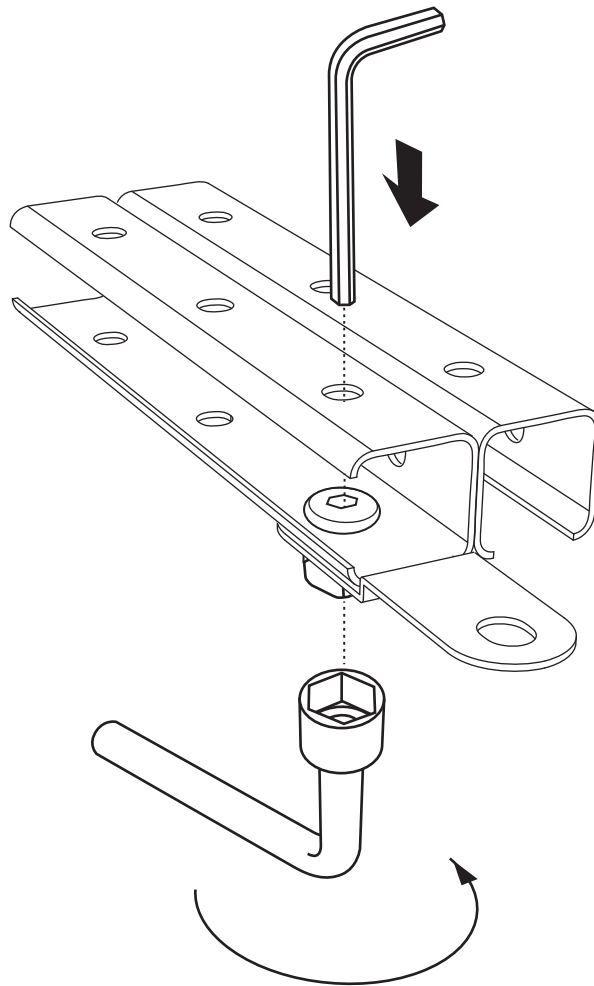


Assembly

Terraced Roadside Garden Bed - 48" L x 21" W x 7" & 14" H

Fasten the bolts and nuts with hex key and nut driver, as shown in Image 6.

IMAGE 6

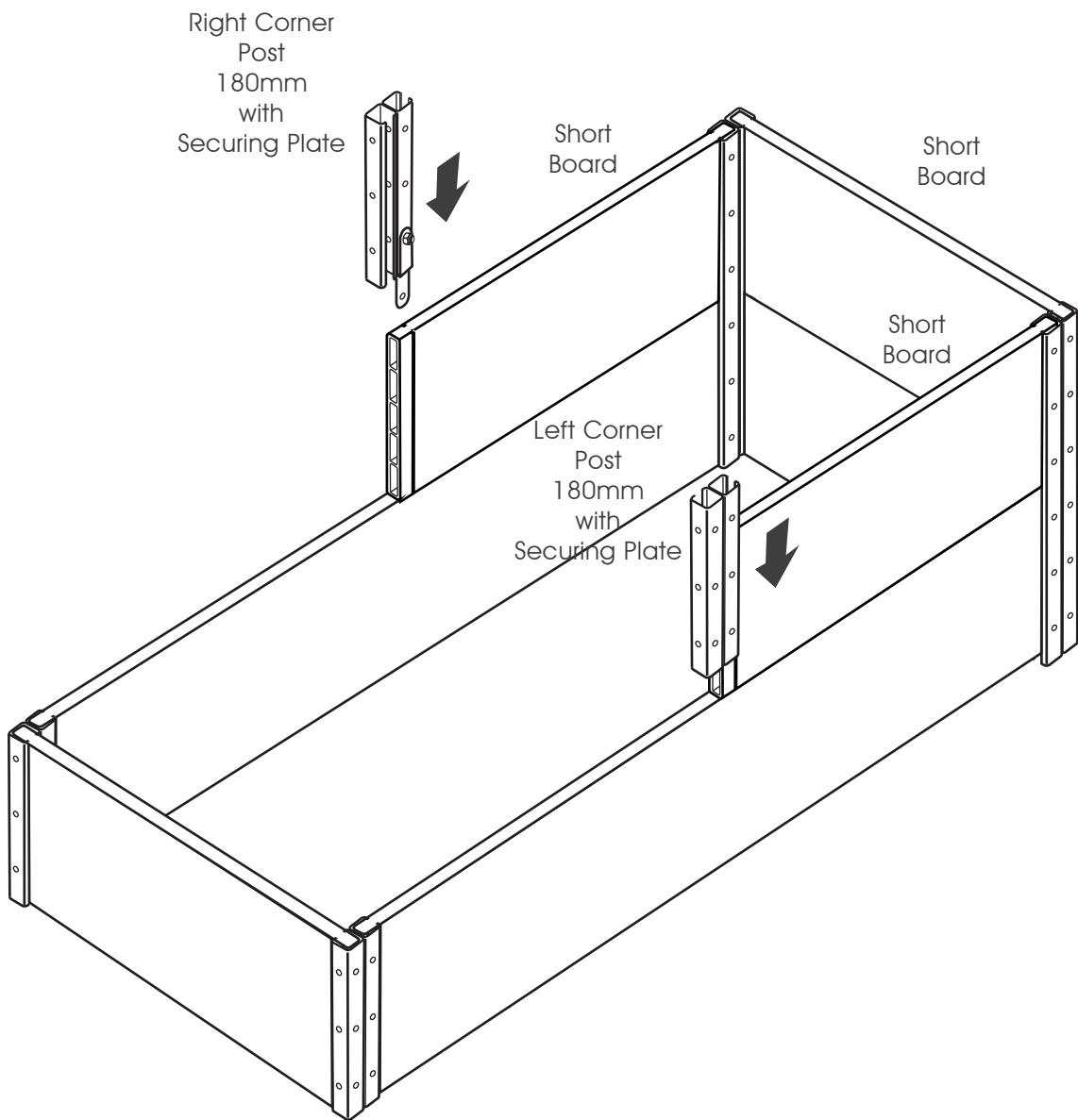


Assembly

Terraced Roadside Garden Bed - 48" L x 21" W x 7" & 14" H

Slide these two post brackets with securing plates onto the short boards from above, as shown in Image 7.

IMAGE 7



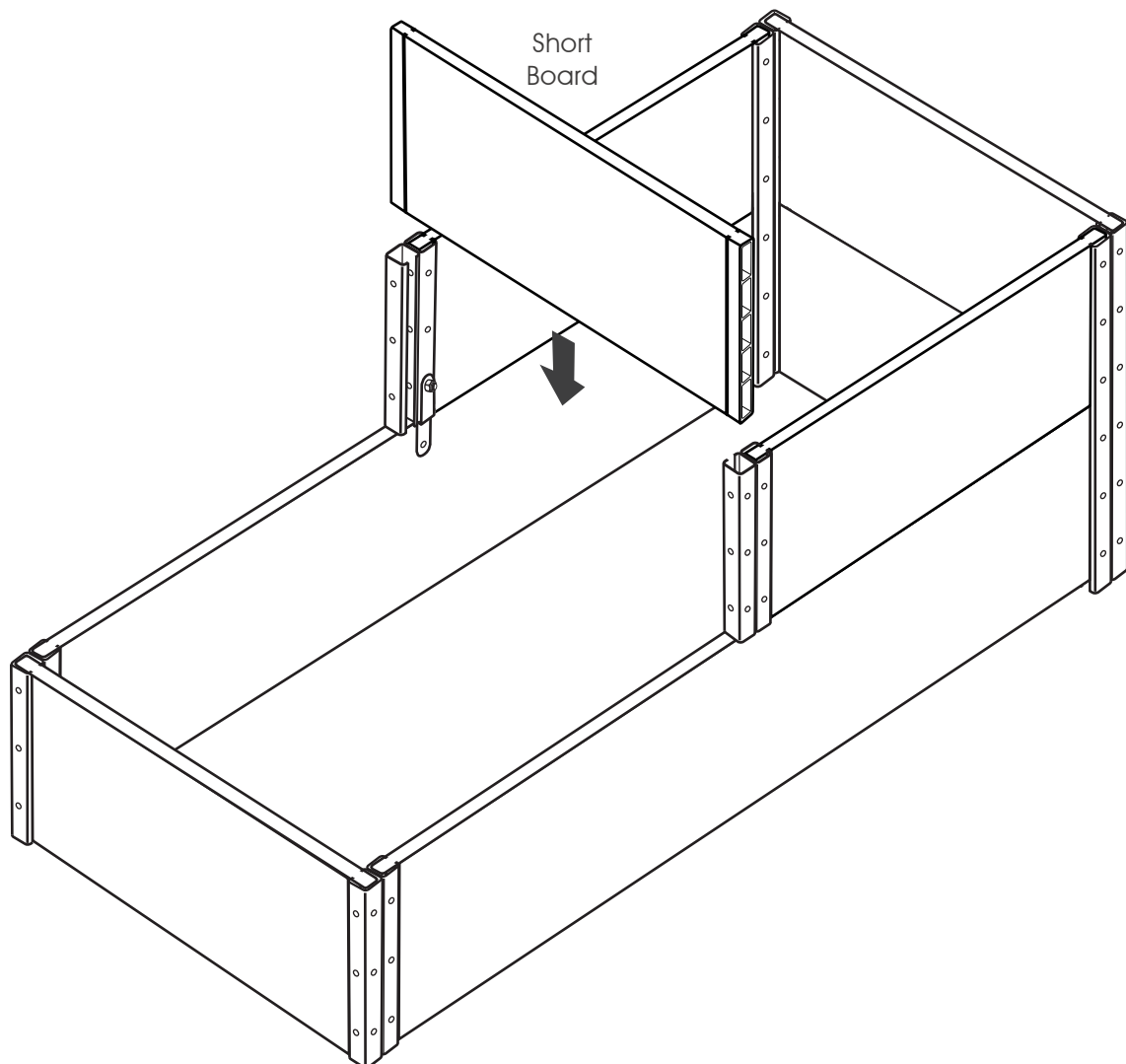
Assembly

Terraced Roadside Garden Bed - 48" L x 21" W x 7" & 14" H

Slide the last short board from above, as shown in Image 8.

Note: It is not necessary to screw the securing plates onto the boards. The securing plates will prevent the short boards from moving sideways after the last short board is inserted. But if you want to secure them with screws (not included), please make sure not to overdrive. The WPC boards might be fragile when screws are overdriven, and not capable of holding the screws in place.

IMAGE 8

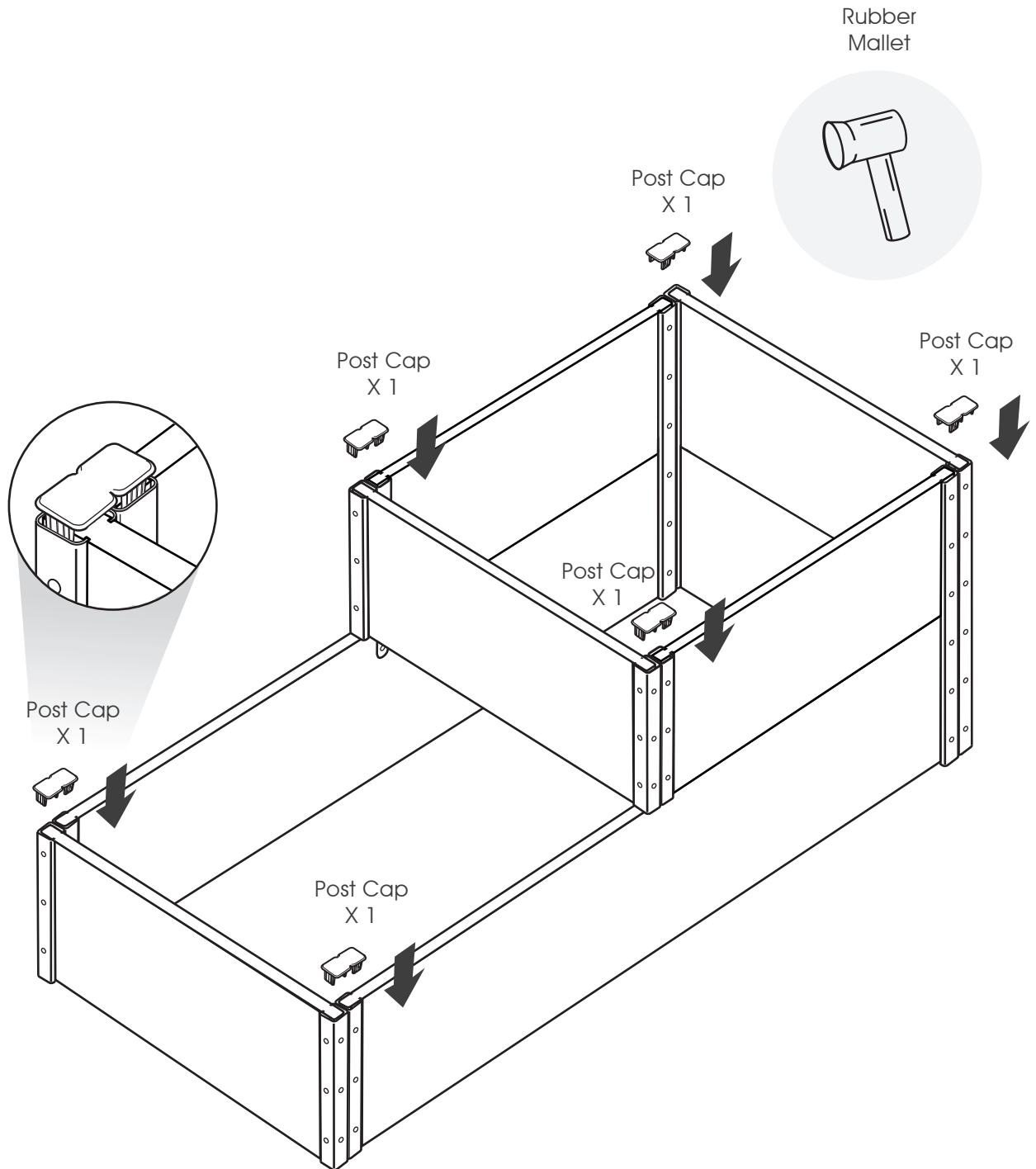


Assembly

Terraced Roadside Garden Bed - 48" L x 21" W x 7" & 14" H

If necessary, use your rubber mallet to ensure the boards are tightly in place. Cover the brackets with the 6 end caps, as shown in Image 9. Then, you get an Everbloom Terraced Roadside Garden Bed.

IMAGE 9



Notes

Terraced Roadside Garden Bed - 48" L x 21" W x 7" & 14" H

Sometimes there might be a misalignment of the Corner Posts as shown in Image 10 and Image 11, which may result in difficulty of sliding boards into the brackets. Please adjust them to the right position so that they are parallel to each other, and perpendicular to the ground.

IMAGE 10

Assembling Problem 1

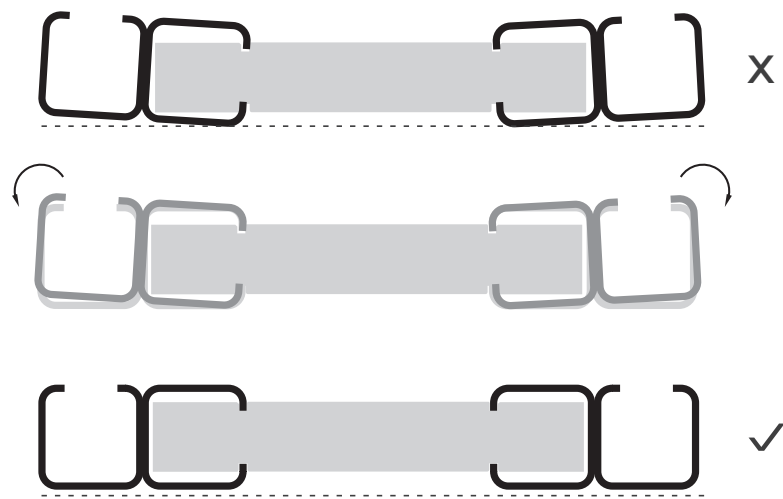
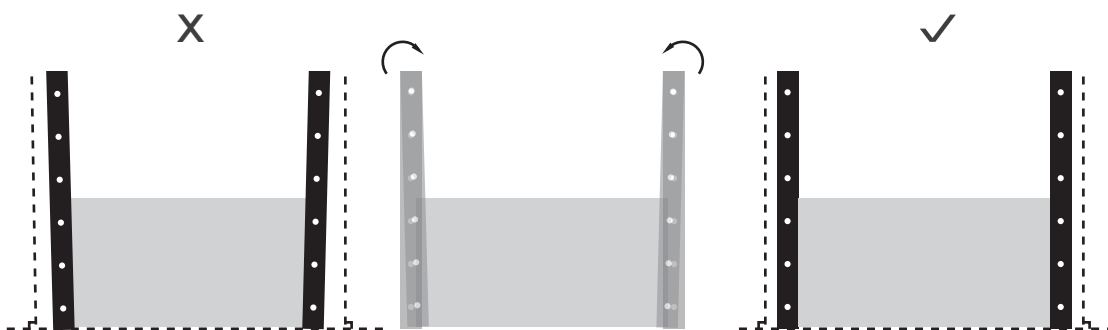


IMAGE 11

Assembling Problem 2



Bloom On.

Everbloom-Garden.com

US Patent Pending

★ Subscribe at www.everbloom-garden.com for
extra savings and upgrading information!

Distributed by:
Dynaforge Trading LLC
St. Paul, MN55101
Email: service@everbloom-garden.com